

AS-FEN02

AS-FPFN02

EN Instruction Sheet

TR Bilgi Dökümanı

TW 安裝說明

CN 安装说明



- EN ⚡ This is an OPEN TYPE module and therefore should be installed in an enclosure free of airborne dust, humidity, electric shock and vibration. The enclosure should prevent non-maintenance staff from operating the device (e.g. key or specific tools are required for operating the enclosure) in case danger and damage on the device may occur.
- FR ⚡ Ceci est un module ouvert et il doit donc être installé dans un coffret à l'abri des poussières, des vibrations et ne pas être exposé aux chocs électriques. Le boîtier ou l'armoire doit éviter toute action d'un personnel autre que celui affecté à la maintenance de l'appareil (par exemple, clefs, outils spécifiques pour l'ouverture du coffret), ceci afin d'éviter tout accident corporel ou endommagement du produit).
- TR ⚡ Bu ürün AÇIK TİP bir modül olup toz, rutubet, elektrik şoku ve titreşimden uzak kapalı yerlerde muhafaza edilmelidir. Yanlış kullanım sonucu ürünün zarar görmesini önlemek için yetkili olmayan kişiler tarafından ürüne müdahale edilmesini önleyecek koruyucu önlemler alınmalıdır. (Ürünün bulunduğu panoya kilit konulması gibi).
- TW ⚡ 本機為開放型 (OPEN TYPE) 機種，因此使用者使用本機時，必須將之安裝於具防塵、防潮及免於電擊/衝擊意外之外殼配線箱內。另必須具備保護措施 (如：特殊之工具或鑰匙才可打開) 防止非維護人員操作或意外衝擊本體，造成危險及損壞。
- CN ⚡ 本机为开放型 (OPEN TYPE) 机种，因此使用者使用本机时，必须将其安装于具防尘、防潮及免于电击/冲击意外的外壳配线箱内。另必须具备保护措施 (如：特殊的工具或钥匙才可打开) 防止非维护人员操作或意外冲击本体，造成危险及损坏。

EN Please refer to the AS Series Hardware Manual for more information.

TR Daha fazla bilgi için lütfen AS Serisi Donanım Klavuzuna bakınız.

TW 詳細資料請參考 AS 系列硬體手冊

CN 详细资料请参考 AS 系列硬件手册

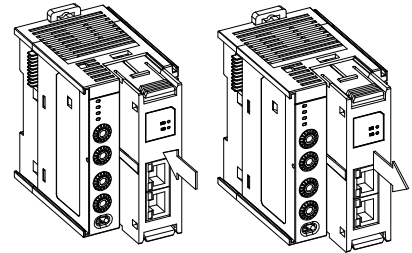
EN Assembly TR Montaj TW 安裝 CN 组装

EN Installation: Put the function card directly into the function card slot until hearing a click. Removal: Press down the clips on the both ends to release the function card and then pull it out.

TR Kurulum : Genişleme kartını doğrudan genişleme kart yuvasına klik sesi duyuncaya kadar itiniz.
Çıkarma : Fonksiyon kartını çıkarmak için klipsleri her iki ucundan aşağı bastırın ve sonra dışarı çekin.

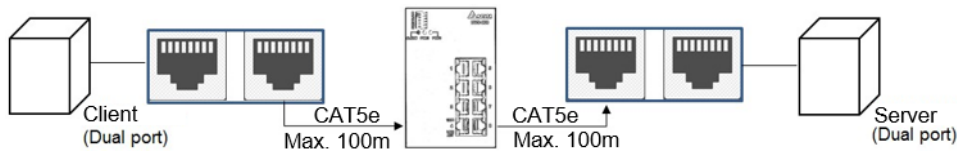
TW 安裝：將擴充卡直接放入功能卡槽直至喀一聲。
拆卸：按壓上下兩端卡榫處，並將功能卡抽出。

CN 安裝：將擴充卡直接放入功能卡槽直至喀一聲。
拆卸：按壓上下兩端卡榫處，並將功能卡抽出。

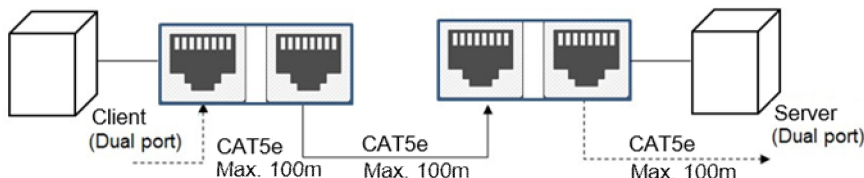


EN Wiring TR Bağlantı TW 配線 CN 配线

● Linear Topology



● Star Topology

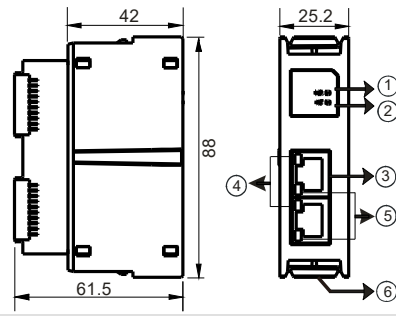


EN Dimensions(mm) & Product Profile

TR Ölçüler(mm) & Ürün Görünüşü

TW 尺寸 (mm) 及產品外觀

CN 尺寸 (mm) 及產品外觀



	EN	TR	TW	CN
1	MS indicator ¹ SF indicator ²	MS göstergesi ¹ SF göstergesi ²	MS 指示燈 ¹ SF 指示燈 ²	MS 指示燈 ¹ SF 指示燈 ²
2	NS indicator ¹ BF indicator ²	NS göstergesi ¹ BF göstergesi ²	NS 指示燈 ¹ BF 指示燈 ²	NS 指示燈 ¹ BF 指示燈 ²
3	Ethernet port(RJ45)	Ethernet bağlantı noktası(RJ45)	Ethernet 通訊埠(RJ45)	Ethernet 通訊口(RJ45)
4	LINK indicator X1/X2	LINK göstergesi X1/X2	LINK 指示燈 X1/X2	LINK 指示燈 X1/X2
5	ACT indicator X1/X2	ACT göstergesi X1/X2	ACT 指示燈 X1/X2	ACT 指示燈 X1/X2
6	Clips	Klips	卡榫	卡榫

Note: ¹ AS-FEN02; ² AS-FPFN02

EN	RJ45 pin definition	TR	RJ45 pin açıklama	TW	RJ45 接腳定義	CN	RJ45 接腳定义
1	TX+	2	TX-	3	RX+	4	N/C
5	N/C	6	RX-	7	N/C	8	N/C

部件名称 Part Name	有毒物质-Hazardous Substances						台達電子工業股份有限公司 機電事業群		Industrial Automation Headquarters Delta Electronics, Inc.			
	鉛(Pb)	汞(Hg)	鎘(Cd)	六价铬 (Cr VI)	多環聯苯 (PBB)	多溴二苯醚 (PBDE)	地址 : 33068 桃園市桃園區興隆路 18 號 電話 : 886-3-3626301 傳真 : 886-3-3716301		No.18, Xinglong Rd., Taoyuan District, Taoyuan City, 33068, Taiwan TEL: 886-3-362-6301 / FAX: 886-3-371-6301			
金屬部件 Metal Part	X	O	O	O	O	O	中達電通股份有限公司 地址 : 上海市浦東新區民復路 238 號 郵編 : 201209 電話 : (021) 5863-5678 傳真 : (021) 5863-0003		Delta Greentech (China) Co., Ltd. 238 Min-Xia Road, Pudong District, Shanghai, P.R.C. 201209 TEL: 86-21-5863-5678 / FAX: 86-21-5863-0003			
塑料部件 Plastic Part	O	O	O	O	O	O						
電子件 Electronic	X	O	O	O	O	O	上海 電話 : (021)6301-2827 南昌 電話 : (0791)8625-5010 武漢 電話 : (027)8544-847 長沙 電話 : (0731)8827-7881 濟南 電話 : (0531)8690-7277 鄭州 電話 : (0371)6384-2772 烏魯木齊 電話 : (0991)4678-141 西安 電話 : (029)8636-0780 沈陽 電話 : (024)2334-16123 長春 電話 : (0431)8892-5060		合肥 電話 : (0551)6281-6777 南京 電話 : (025)8334-6585 杭州 電話 : (0571)8882-0610 南寧 電話 : (0771)5879-599 廈門 電話 : (0592)5313-601 廣州 電話 : (020)3879-2175 天津 電話 : (022)2301-5082 太原 電話 : (0351)4039-475 成都 電話 : (028)8434-2075 重慶 電話 : (023)8806-0306 哈爾濱 電話 : (0451)5366-0643			
接點 Contacts	O	O	X	O	O	O						
電線和纜線附件 Cable & Cabling accessories	X	O	O	O	O	O	本表格依據 SJ/T 11364 的規定編制。 O : 表示該有害物質在該部件所有均質材料中的含量均在 GB/T 26572 規定的限量要求以下。 X : 表示該有害物質至少在該部件的某一均質材料中的含量超出 GB/T 26572 規定的限量要求。 This table is made according to SJ/T 11364. O: Indicates that the concentration of hazardous substance in all of the homogeneous materials for this part is below the limit as stipulated in GB/T 26572. X: Indicates that concentration of hazardous substance in at least one of the homogeneous materials used for this part is above the limit as stipulated in GB/T 26572.		France: Delta Electronics (France) S.A. ZI du bois Chailand 2, 15 rue des Pyrénées, Lisses, 91090 Evry Cedex, France Mail: Sales.IA.FR@deltaww.com TEL: +33(0)1 69 77 82 60 Iberia: Delta Electronics Solutions (Spain) S.L.U. Ctra. De Villaverde a Valdecasas, 255 1ª Dcha Ed. Hortiguerras - P.I. de Valdecasas 28031 Madrid TEL: +34(0)91 223 74 20 C/Lull, 321-329 (Edifici CINC) 22@Barcelona, 08019 Barcelona Mail: Sales.IA.Iberia@deltaww.com TEL: +34 93 303 00 60 Italy: Delta Electronics (Italy) S.r.l. Ufficio di Milano Via Sengallia 18/2 20161 Milano (MI) Piazza Grazioli 18 00186 Roma Italy Mail: Sales.IA.Italy@deltaww.com TEL: +39 02 64672538 Russia: Delta Energy System LLC Verenskaya Plaza II, office 112 Verenskaya str. 17 121357 Moscow Russia Mail: Sales.IA.RU@deltaww.com TEL: +7 495 644 3240 Turkey: Delta Greentech Elektronik San. Ltd. Sti. (Turkey) Şerifali Mah. Hıdımlı Cad. Kule Sok. No:16-A 34775 Ümraniye - İstanbul Mail: Sales.IA.Turkey@deltaww.com TEL: +90 216 499 9910 GCC: Delta Energy Systems AG (Dubai BR) P.O. Box 185668, Gate 7, 3rd Floor, Hamarain Center Dubai, United Arab Emirates Mail: Sales.IA.ME@deltaww.com TEL: +971(0)4 2690148 Egypt + North Africa: Delta Electronics 511 Cairo Bussiness Plaza, North 90 street, New Cairo, Cairo, Egypt Mail: Sales.IA.ME@deltaww.com			
電池 Battery	O	O	O	O	O	O						

Asia
Delta Electronics (Shanghai) Co., Ltd.
No.182 Minyu Rd., Pudong Shanghai, P.R.C.
Post code : 201209
TEL: 86-21-6872-3988 / FAX: 86-21-6872-3996
Customer Service: 400-820-9595
Delta Electronics (Japan), Inc.
Tokyo Office
Industrial Automation Sales Department
2-1-14 Shibadai-mon, Minato-ku
Tokyo, Japan 105-0012
TEL: 81-3-5733-1155 / FAX: 81-3-5733-1255
Delta Electronics (Korea), Inc.
Seoul Office
1511, 219, Gasan Digital 1-Ro., Geumcheon-gu,
Seoul, 08501 South Korea
TEL: 82-2-515-5305 / FAX: 82-2-515-5302
Delta Energy Systems (Singapore) Pte Ltd.
4 Kaki Bukit Avenue 1, #05-04, Singapore 417939
TEL: 65-6747-5155 / FAX: 65-6744-9228
Delta Electronics (India) Pvt. Ltd.
Plot No.43, Sector 35, HSIEDC Gurgaon,
PIN 122001, Haryana, India
TEL: 91-124-4874900 / FAX: 91-124-4874945
Delta Electronics (Thailand) PCL.
909 Soi 9, Moo 4, Bangpoo Industrial Estate (E.P.Z.),
Pattana 1 Rd., T.Phraksa, A.Muang,
Samutprakarn 10280, Thailand
TEL: 66-2709-2800 / FAX: 662-709-2827
Delta Energy Systems (Australia) Pty Ltd.
Unit 20-21/45 Normanby Rd., Notting Hill Vic 3168, Australia
TEL: 61-3-9543-3720

Americas
Delta Electronics (Americas) Ltd.
Reliegh Office
P.O. Box 12173, 5101 Davis Drive,
Research Triangle Park, NC 27709, U.S.A.
TEL: 1-919-767-3813 / FAX: 1-919-767-3969
Delta Greentech (Brasil) S/A
São Paulo Office
Rua Itapeva, 26 - 3º Andar - Bela Vista
CEP: 01332-000 - São Paulo - SP - Brasil
TEL: 55-11-3530-8642 / 55-11-3530-8640
Delta Electronics International Mexico S.A. de C.V.
Mexico Office
Via Dr. Gustavo Baz No. 2160, Colonia La Loma,
54060 Tlalneantla Estado de Mexico
TEL: 52-55-2628-3015 #3050/3052
EMEA
Headquarter: Delta Electronics (Netherlands) B.V.
Sales: Sales.IA.EMEA@deltaww.com
Marketing: Marketing.IA.EMEA@deltaww.com
Technical Support: itechnicalsupport@deltaww.com
Customer Support: Customer-Support@deltaww.com
Service: Service.IA.emea@deltaww.com
TEL: +31(0)40 800 3800
BENELUX: Delta Electronics (Netherlands) B.V.
De Witboog 20, 5652 AG Eindhoven, The Netherlands
Mail: Sales.IA.Benelux@deltaww.com
TEL: +31(0)40 800 3800
DACH: Delta Electronics (Netherlands) B.V.
Coostenweg 45, D-59494 Soest, Germany
Mail: Sales.IA.DACH@deltaww.com
TEL: +49(0)2921 987 0

France: Delta Electronics (France) S.A.
ZI du bois Chailand 2, 15 rue des Pyrénées,
Lisses, 91090 Evry Cedex, France
Mail: Sales.IA.FR@deltaww.com
TEL: +33(0)1 69 77 82 60
Iberia: Delta Electronics Solutions (Spain) S.L.U.
Ctra. De Villaverde a Valdecasas, 255 1ª Dcha Ed.
Hortiguerras - P.I. de Valdecasas 28031 Madrid
TEL: +34(0)91 223 74 20
C/Lull, 321-329 (Edifici CINC) | 22@Barcelona, 08019 Barcelona
Mail: Sales.IA.Iberia@deltaww.com
TEL: +34 93 303 00 60
Italy: Delta Electronics (Italy) S.r.l.
Ufficio di Milano Via Sengallia 18/2 20161 Milano (MI)
Piazza Grazioli 18 00186 Roma Italy
Mail: Sales.IA.Italy@deltaww.com
TEL: +39 02 64672538
Russia: Delta Energy System LLC
Verenskaya Plaza II, office 112 Verenskaya str.
17 121357 Moscow Russia
Mail: Sales.IA.RU@deltaww.com
TEL: +7 495 644 3240
Turkey: Delta Greentech Elektronik San. Ltd. Sti. (Turkey)
Şerifali Mah. Hıdımlı Cad. Kule Sok. No:16-A
34775 Ümraniye - İstanbul
Mail: Sales.IA.Turkey@deltaww.com
TEL: +90 216 499 9910
GCC: Delta Energy Systems AG (Dubai BR)
P.O. Box 185668, Gate 7, 3rd Floor, Hamarain Center
Dubai, United Arab Emirates
Mail: Sales.IA.ME@deltaww.com
TEL: +971(0)4 2690148
Egypt + North Africa: Delta Electronics
511 Cairo Bussiness Plaza, North 90 street,
New Cairo, Cairo, Egypt
Mail: Sales.IA.ME@deltaww.com